

Heat exchanger Hi-Temp



Hi-Temp

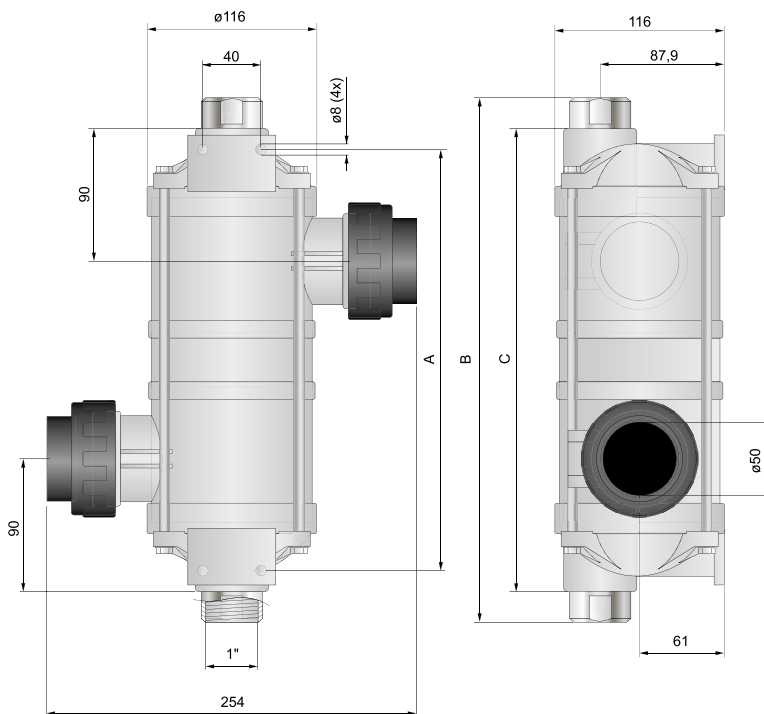
Hi-temp is a spiral heat exchanger made of thermoplastic with a high glass content for extra durability, and with a spiral of AISI 316L acid proof stainless steel.

Maximum pressure secondary circuit (pool water) is 4 bar and primary circuit (hot water) is 5 bar.

Suitable for pools up to 300m³

Hi-Temp

Hi-Temp is a spiral heat exchanger made of thermoplastic with a high glass content for extra durability.



Features

- Outer jacket of thermoplastic
- Hot water coil made of acid proof stainless steel
- Integrated wall-mounting
- Slip connections for bonding of $\varnothing 50$ mm pipes
- Two sizes 40 and 75 kW
- Connects to existing heat source

Dimensions

Item no.	kW	A	B	C
11312	40	277	360	315
11314	75	454	535	492

Technical data		Capacity			Primary, hot water		Secondary, pool water		kg
Item no.	Model	kW	kBtu/h	kcal	l/min	press. drop H (m)	l/min	press. drop H (m)	
11312	HT 40	40	135	34 393	34	1,9	300	1,3	1,8
11314	HT 75	75	260	64 488	43	5,5	300	1,7	2,3

Capacity at 60°C temperature difference