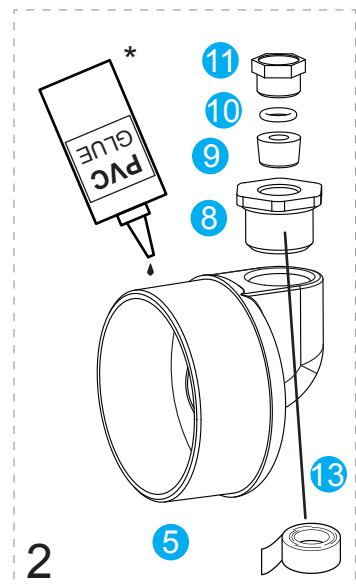
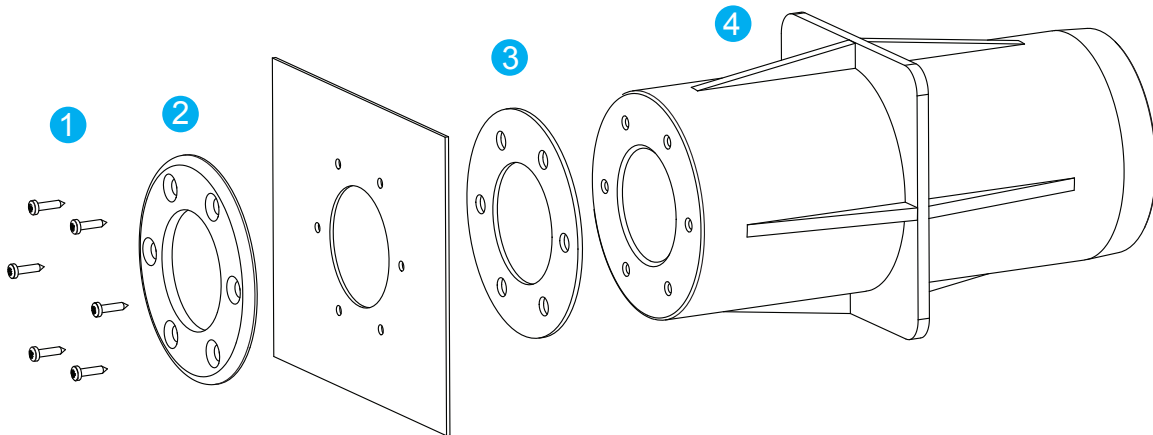
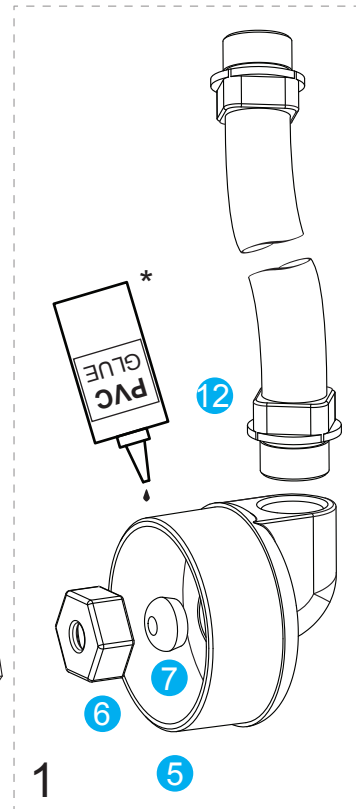
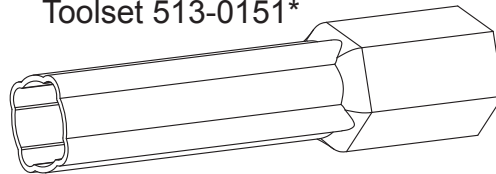


PZA-WC-S

1. Screws (6)
2. Liner ring
3. Silicone gasket liner
4. Concrete wall conduit
5. Tail piece
6. Hexagon nut
7. Silicon rubber
8. Plastic nut 1
9. Silicon plug
10. Plastic ring
11. Plastic nut 2
12. Flex tube
13. Apply teflon tape

Toolset 513-0151*



(*) Glue and tool not included

