

**VALVEX 03**  
**(02400 - 02400T - 02400T1 - 02400T2)**

**INSTRUCTION MANUAL FOR**  
**1 1/2" 6-WAYS SIDE MOUNT VALVE**



# INSTRUCTION MANUAL FOR 6-WAYS SIDE MOUNT VALVE

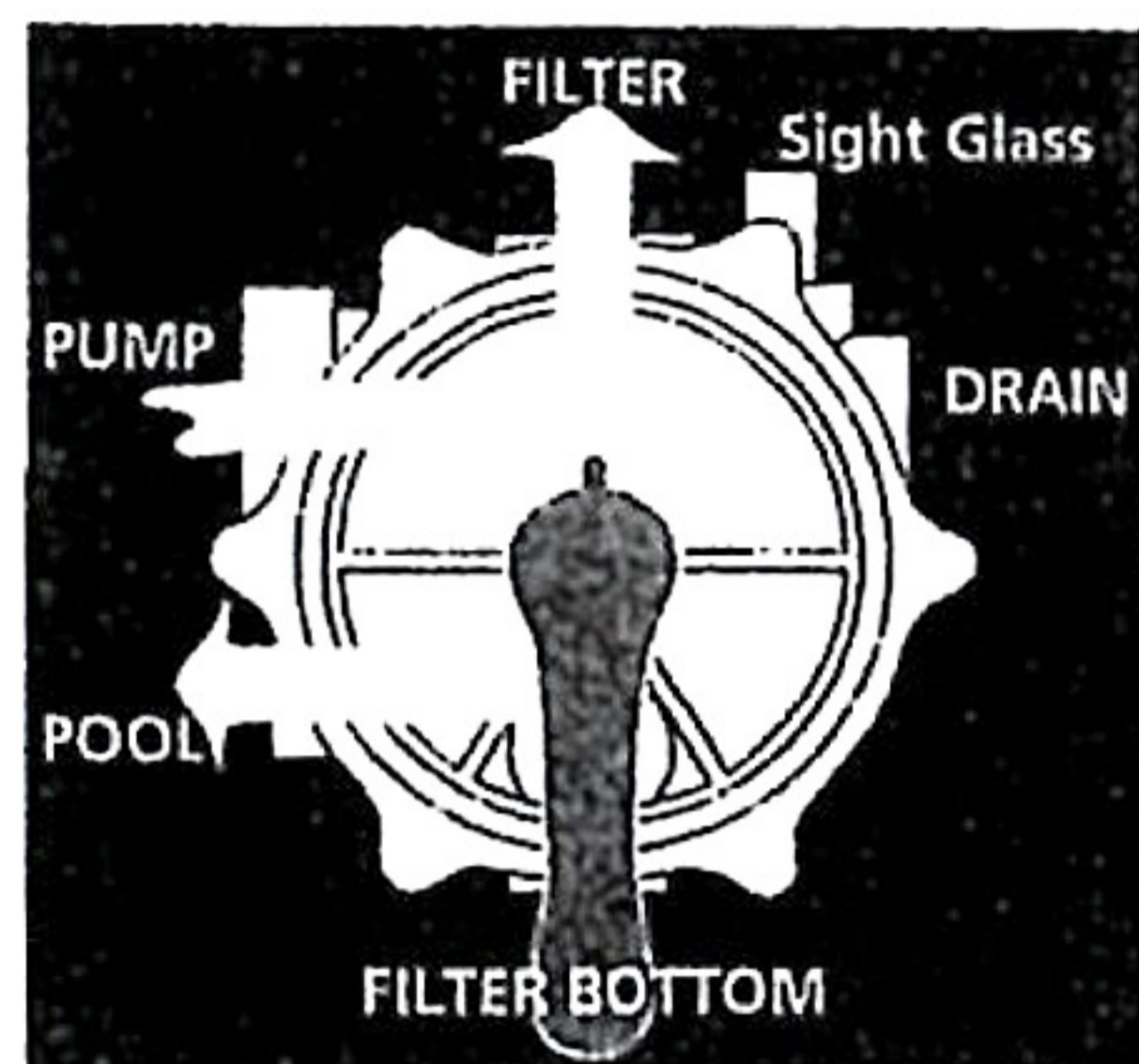
## 1. INSTALLATION

The valve is installed by either screwing or slipping in the existing connections. It is recommended to use male threaded or slip-in unions for the connections so as to have convenience for maintenance.

## 2. OPERATION SCHEME

FIGURE A:

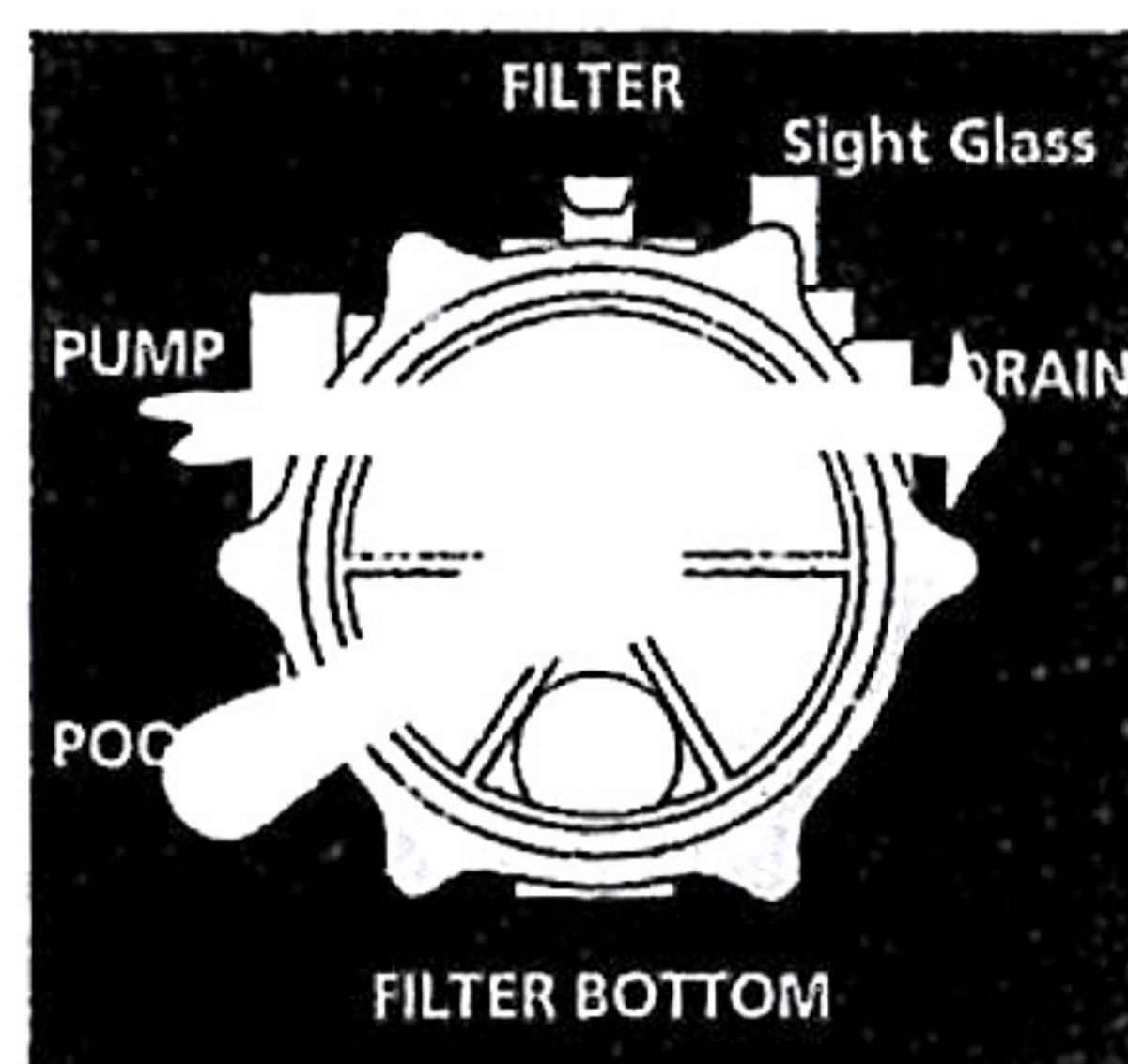
### I. FILTER



#### I. Filtration of pool water

Pool → pump → valve (connected to filter as see) → filter → valve (from filter) → pool.

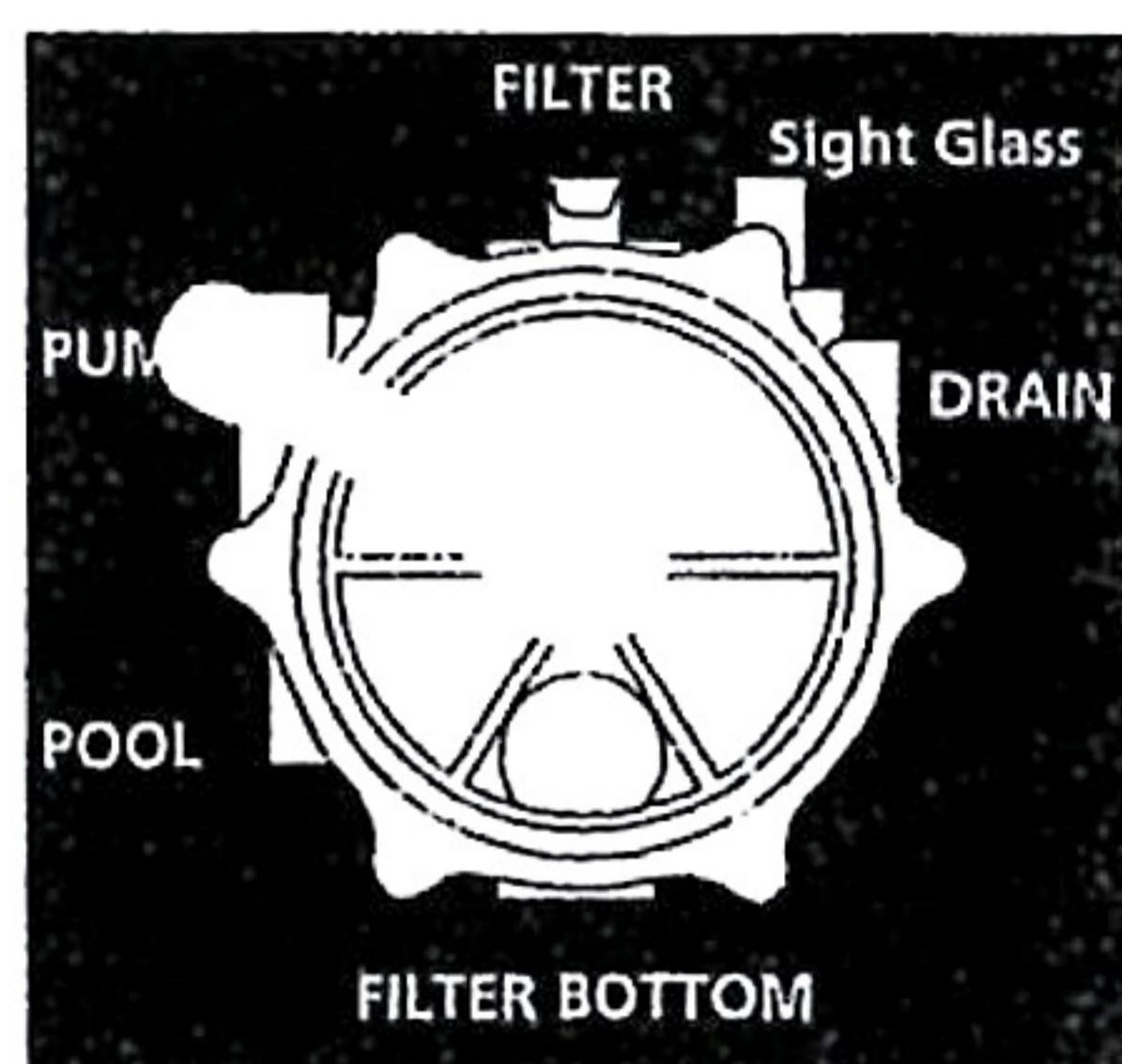
### II. WASTE



#### II. Drainage of pool water by pump

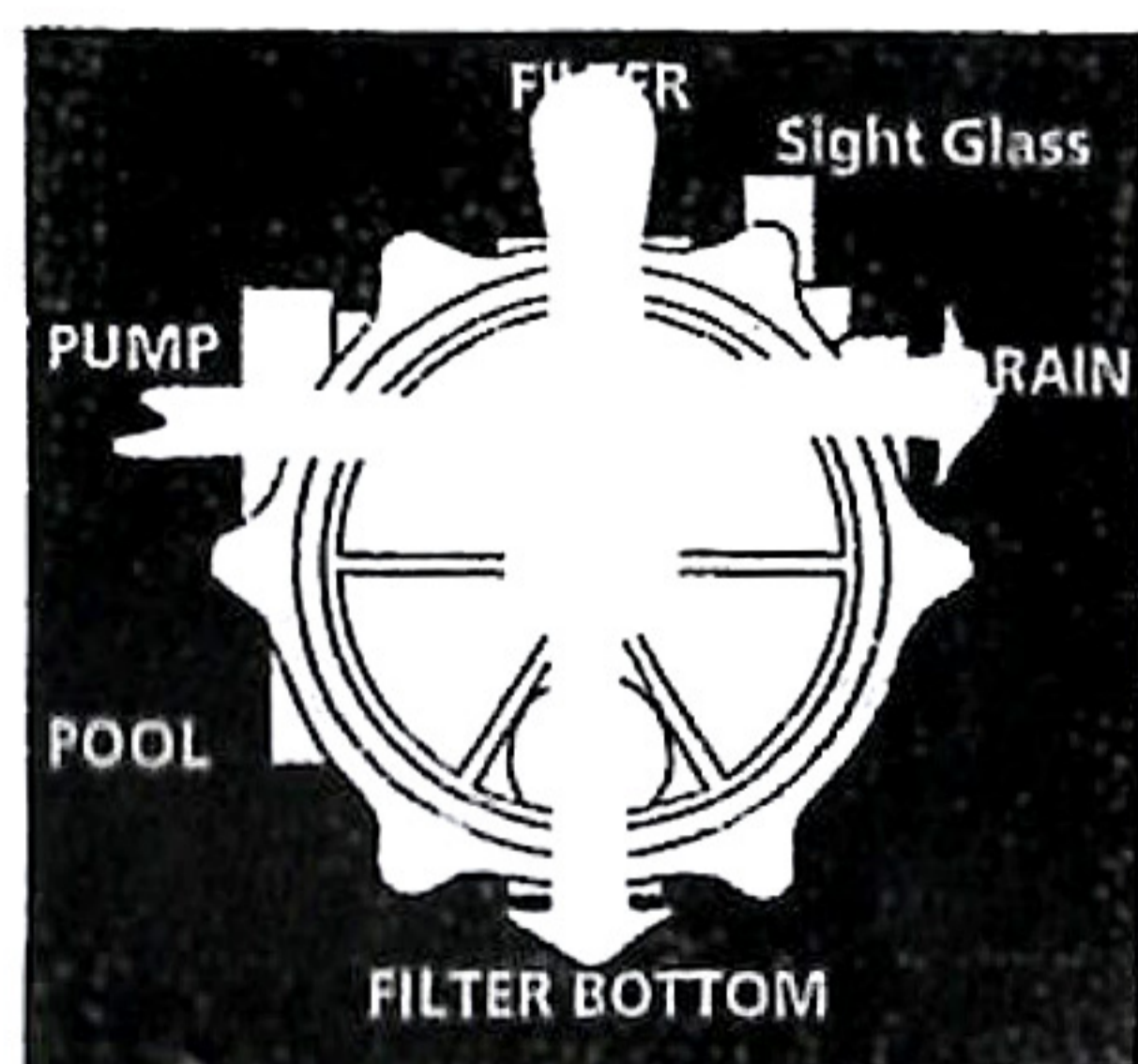
Pool → pump → valve → drain.

### III. CLOSED



#### III. No circulation Do not operate pump. Pool → pump → valve .

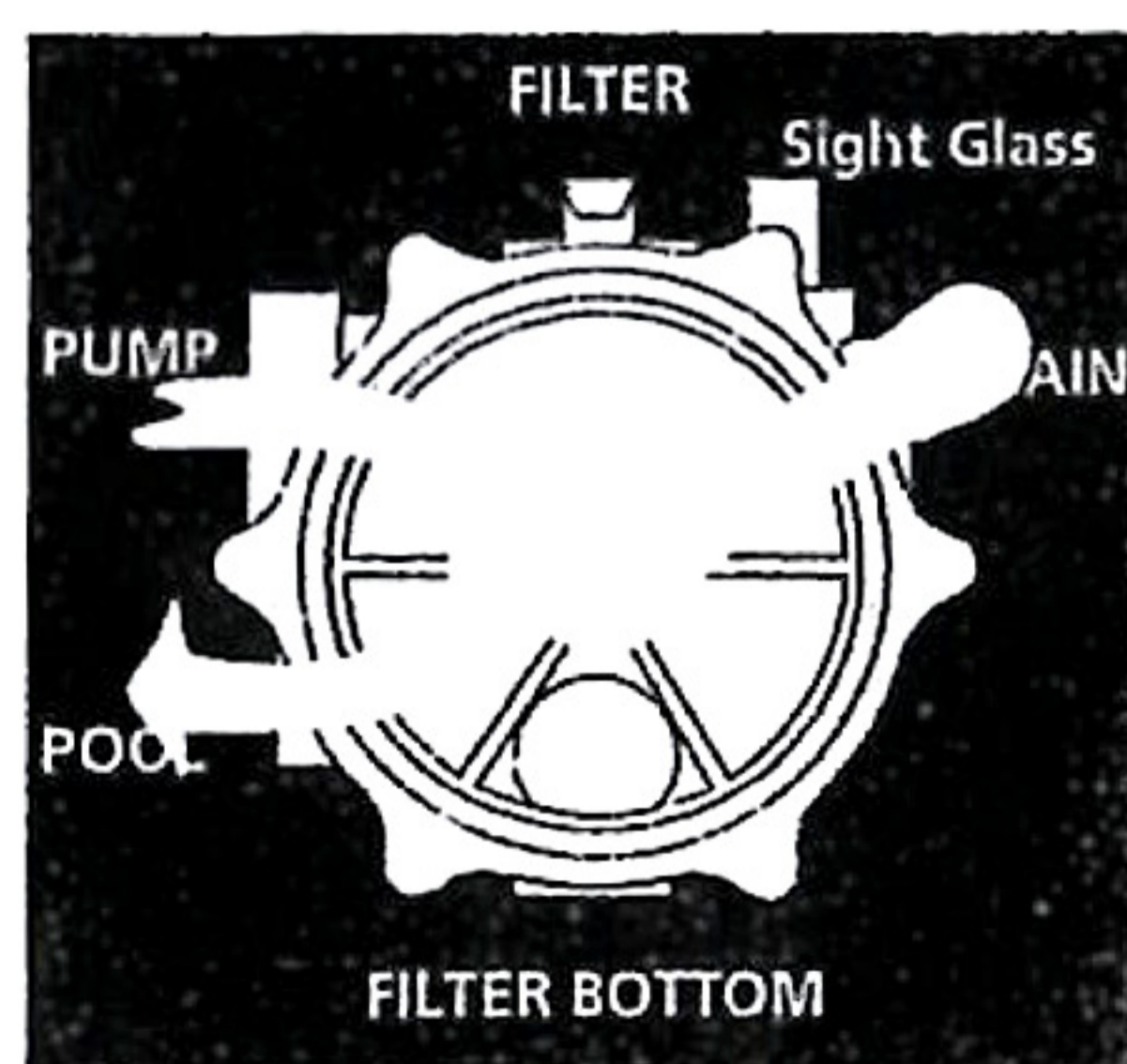
### IV. BACKWASH



#### IV. Cleaning of filter sand by upstream

Pool → pump → valve (from filter) → filter → valve (to filter) → waste.

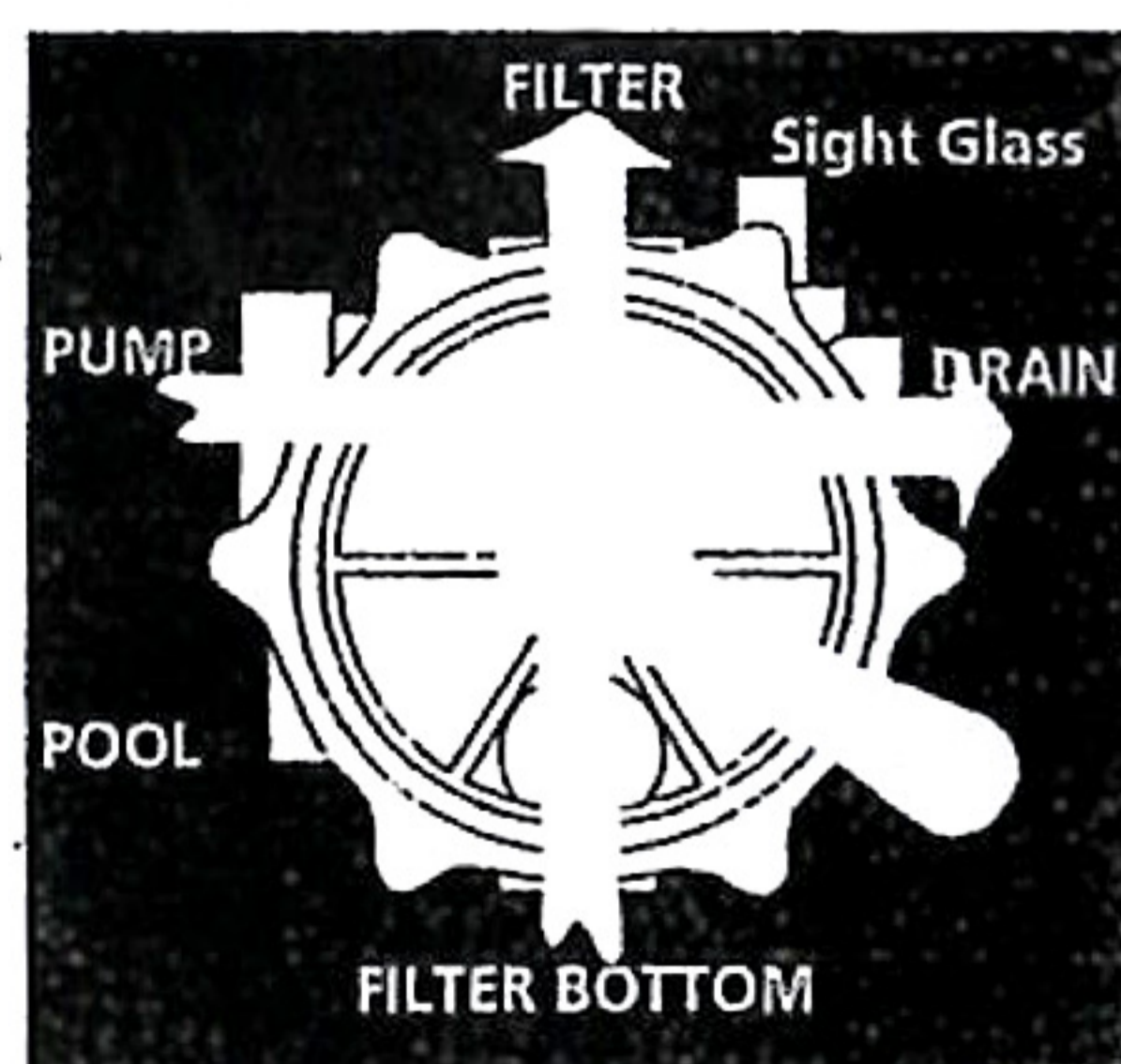
### V. RECIRCULATE



#### V. Recirculation of fluid without filter (bypass filter)

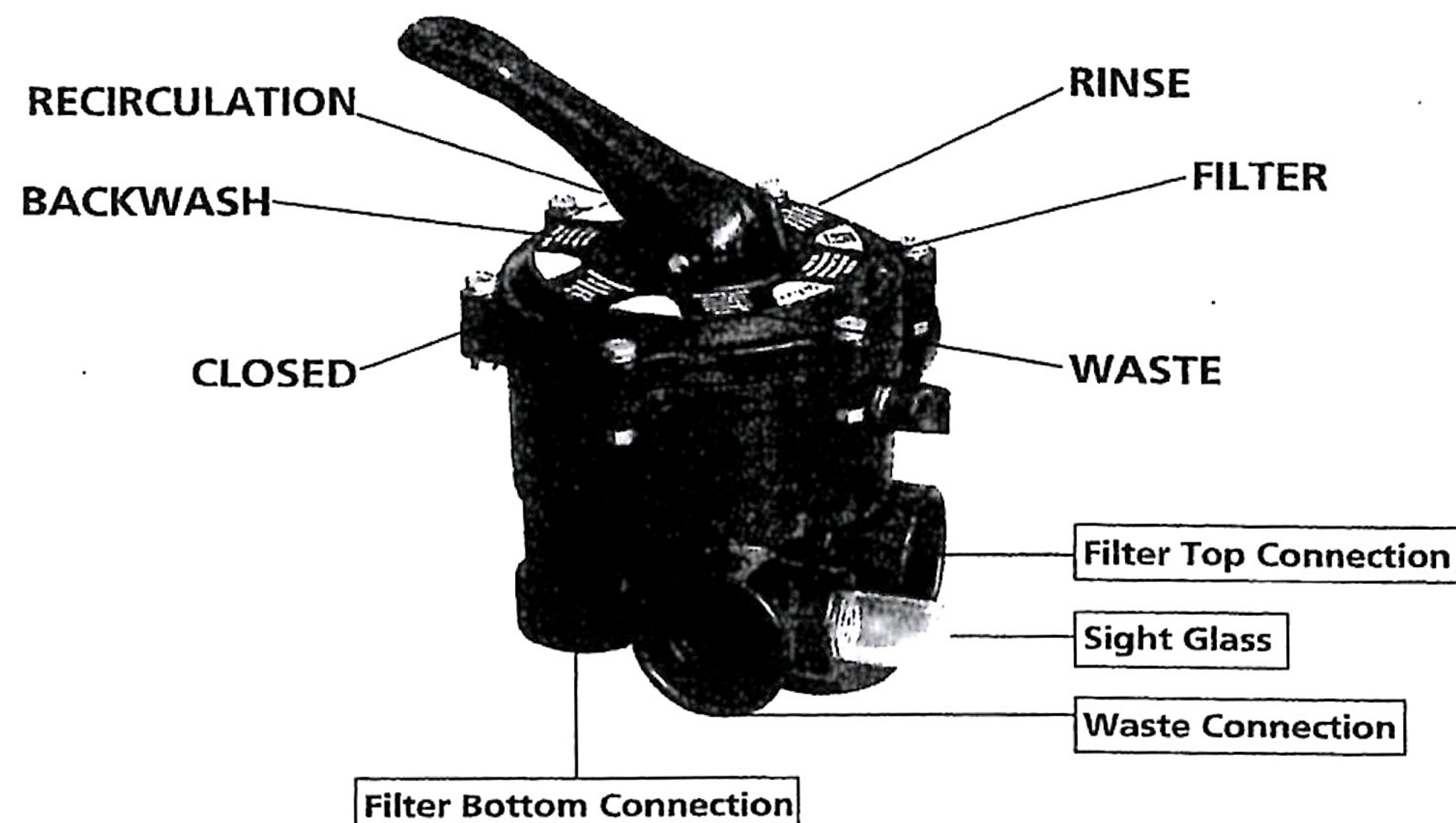
Pool → pump → valve → pool.

### VI. RINSE



#### VI. Rinsing of filter sand after backwash

Pool → pump → valve (to filter) → filter → valve (from filter) → waste.



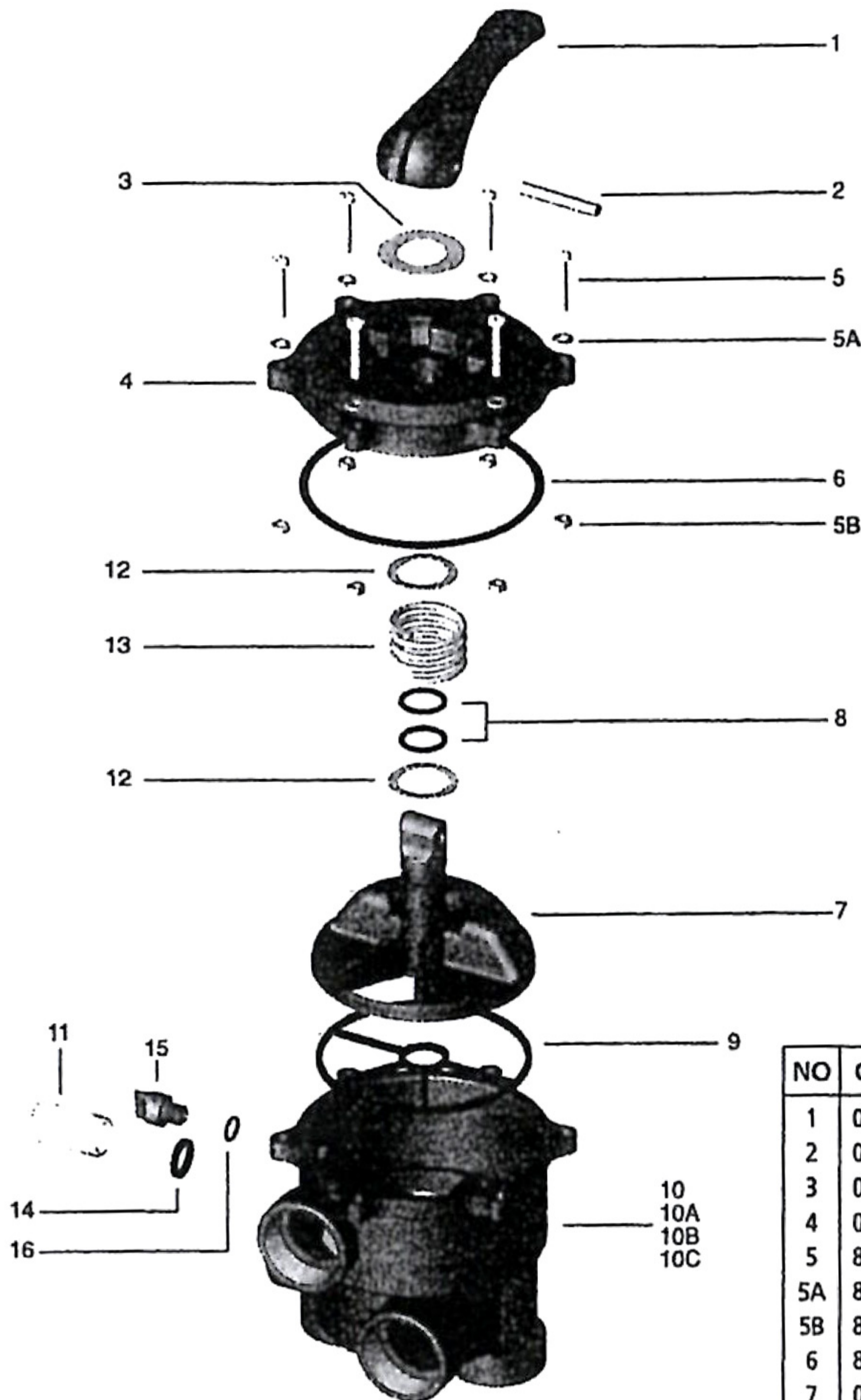
- FILTER** : Normal Filtration & suction sweeping.
- BACKWASH** : Reversed flow purging dirt to waste.
- RINSE** : For resetting - filter bed after backwash.
- CLOSED** : Pump outlet blocked, preventing all flow to filter & pool.
- WASTE** : Bypass filter for rapid pool drainage, or heavy suction sweeping.
- RECIRCULATE** : Bypass filter for rapid flow to pool.

## WARNING !

**ALWAYS STOP THE PUMP BEFORE CHANGING POSITION OF THE VALVE.**

### 3. SPARE PARTS LIST

FIGURE B:



NO	CODE	DESCRIPTION
1	02403501	Multiport valve handle
2	02403502	Multiport valve handle pin, M8x53 mm
3	0240202	1 1/2" multiport valve washer, plastic Ø52xØ29x2 mm
4	02403503	1 1/2" multiport valve body, top
5	8500039	Multiport valve inox bolt, M6x35 mm (x6)
5A	8500020	Multiport valve inox washer, M6 (x6)
5B	8500017	Multiport valve brass nut, M6 (x6)
6	860347	1 1/2" multiport valve body O-Ring, Ø135x4 mm
7	02403505	1 1/2" multiport valve rotating disc
8	13111702	1 1/2" multiport valve rotating disc O-Ring, Ø18x4 mm (x2)
9	860348	1 1/2" multiport valve rotating disc star gasket for steam
10	02400015	1 1/2" multiport valve body, bottom - slip
10A	02400T01	1 1/2" multiport valve body, bottom - 3 threaded
10B	02400T201	1 1/2" multiport valve body, bottom - 4 threaded
10C	02400T101	1 1/2" multiport valve body, bottom - 5 threaded
11	0240216	Multiport valve sight glass
12	0240208A	Multiport valve inox washer, Ø42xØ30x1.2 mm (x2)
13	0240209	Multiport valve inox spring
14	860289	Multiport valve sight glass gasket, Ø18xØ22x2 mm
15	0111STR02	1 1/2" multiport valve drain plug, G 1/4" L=15 mm
16	860285	1 1/2" multiport valve drain plug O-Ring, Ø11x3 mm

